

# Faber Gas built in

Faber built-in gas fires are a statement in themselves. First and foremost because of a fabulous burning fire and the most beautiful finish with lifelike decorative logs or modern pebbles. But also because of the quality of the materials used, which guarantee years of safe, trouble-free operation. Especially when you control the fire remotely with a control unit or from your own smartphone.



More information  
about the Gas built-in?  
Scan the QR code.

Faber gas fires are available in a surprising number of versions, dimensions and finishes so you can choose what is best suited to your taste and interior decoration. The Faber specialist is there for you throughout the entire process!

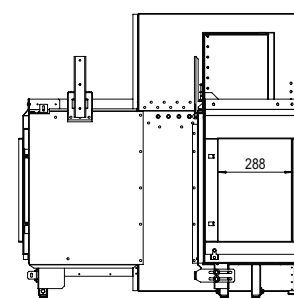
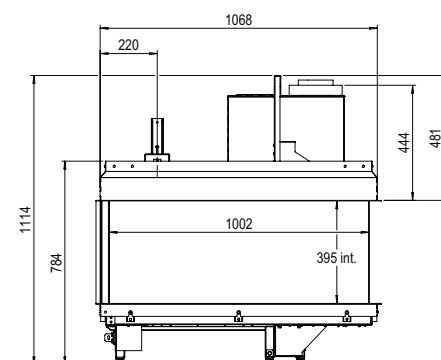
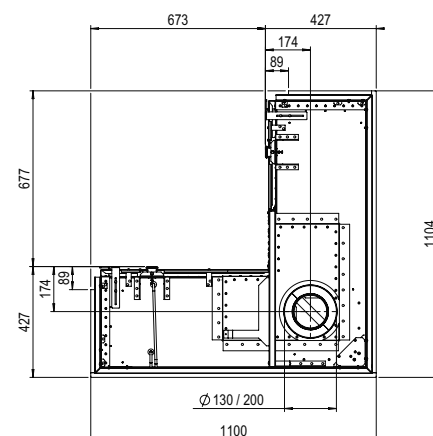
Did you find your favourite Faber fire? It will be built, set and tested by Faber, specifically for you, before we deliver it to the Faber specialist who will install it in your home.



## DECORATION



Flue material  
130/200



## Specifications

**Exterior dimensions WxHxD in mm**  
1104 x 1114 x 427

**Fire display WxHxD in mm**  
1006 x 395 x 288

**System**  
Step Burner

**Decoration**  
Log set or White Pebble

**Back wall**  
Black glass back wall

**Remote**  
Symax

**Power**  
10,8 kW

**Operating system**  
Mertik

**Energy label**  
D

**Options (at a surcharge)**  
-